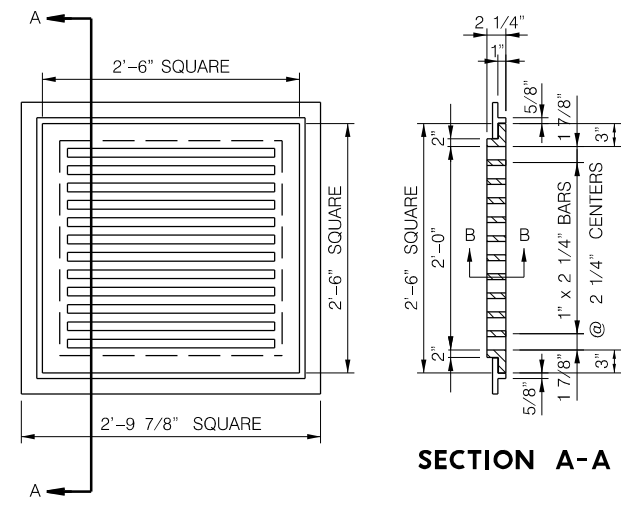


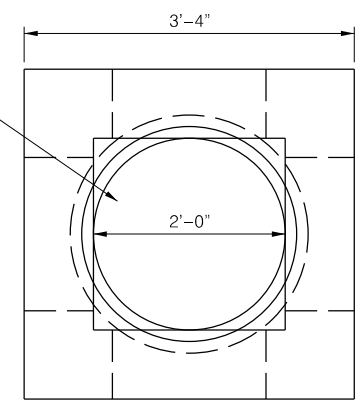
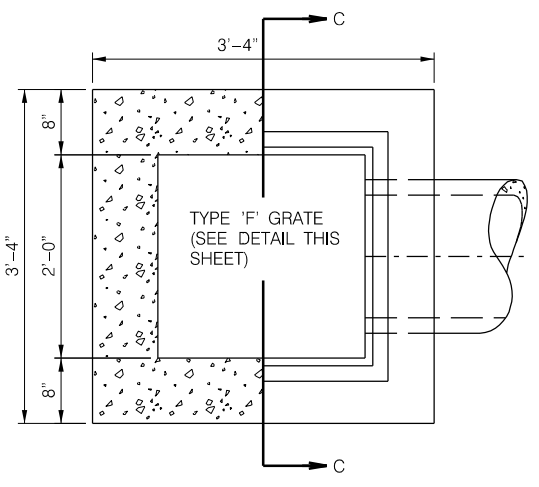
PROJ: LPS\_Standards.dwg  
 PEN: \\nables\pen\BW\_PENTABLE.tbl  
 USER: slocaw  
 DATE: 2/17/2017  
 DGN: ..\STANDARD\2017\LSPs\lsp131.dgn



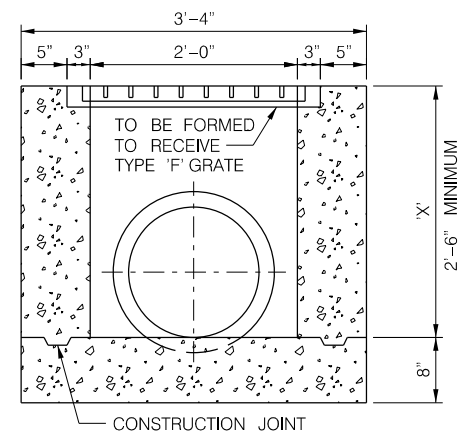
**SECTION B-B**

**SECTION A-A**

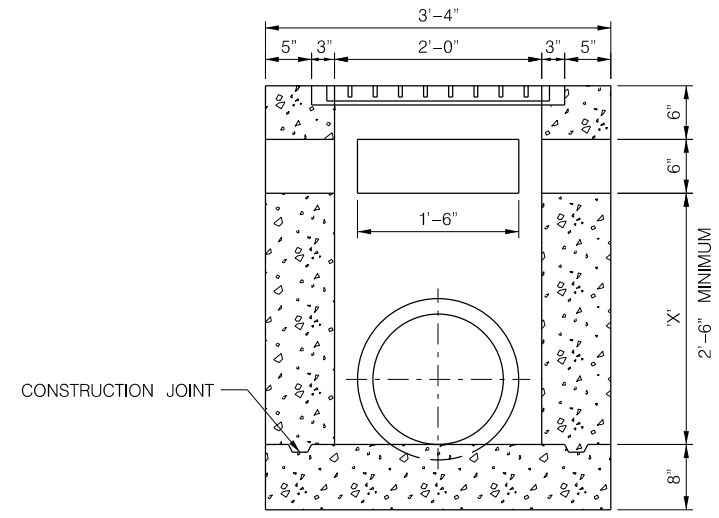
**TYPE 'F' GRATE INLET**



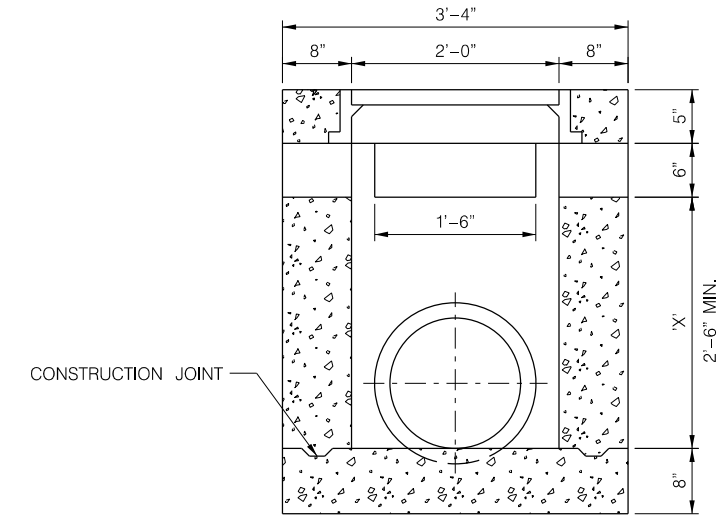
**DETAIL OF TYPE 'F-3' INLET TOP**



**SECTION C-C TYPE 'F-1A'**



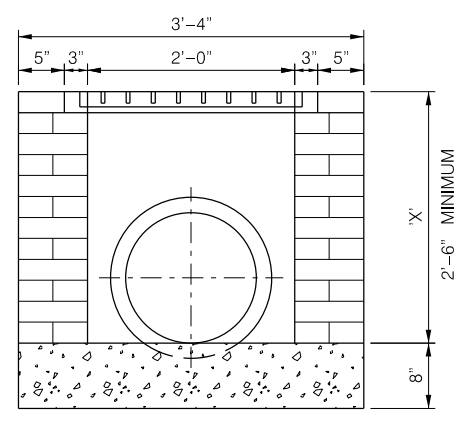
**SECTION C-C TYPE 'F-2A'**



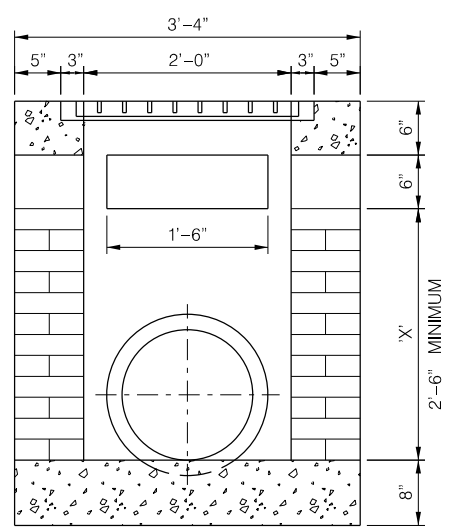
**SECTION C-C TYPE 'F-3A'**

APPROXIMATE QUANTITIES FOR DRAINAGE INLETS			
'X' DEPTH	TYPE 'F-1A'	TYPE 'F-2A'	TYPE 'F-3A'
FEET	CONC. CU. YDS.	CONC. CU. YDS.	CONC. CU. YDS.
3.0	1.1	1.3	1.3
4.0	1.3	1.5	1.5
5.0	1.6	1.8	1.8
6.0	1.8	2.1	2.1
7.0	2.1	2.3	2.3
8.0	2.4	2.6	2.6
9.0	2.6	2.8	2.8
ADD 0.1	0.03	0.026	0.026

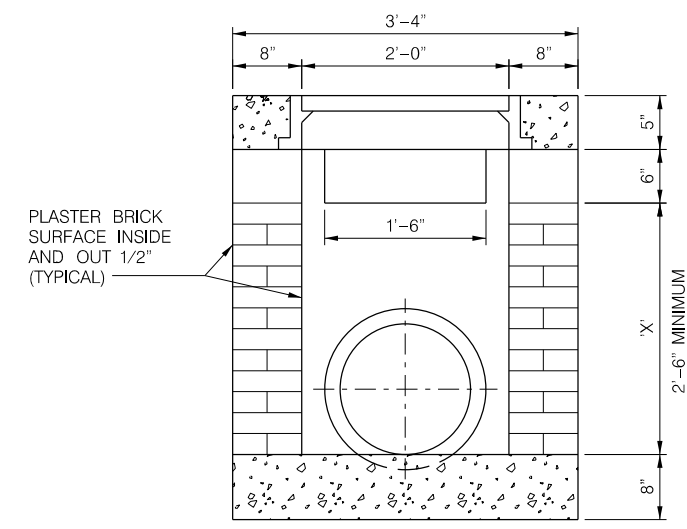
EACH INLET SHALL INCLUDE A CAST IRON GRATE AND FRAME.  
 TABLE DOES NOT INCLUDE DEDUCTION FOR PIPE OPENING.



**TYPE 'F-1B'**

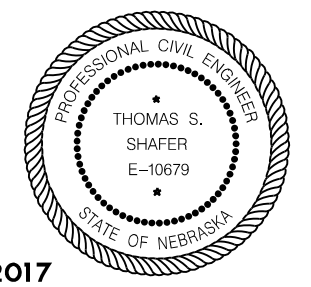


**TYPE 'F-2B'**



**TYPE 'F-3B'**

NOTE:  
 PROVIDE OPENINGS IN WALLS OF TYPE "F-2" AND "F-3" INLETS AS NOTED ON THE PLANS.  
 DETAILS AND QUANTITIES REFLECT OPENINGS IN 3 WALLS AS TYPICAL FOR TYPE "F-2" AND TYPE "F-3" GRATE INLETS.  
 ALL CONCRETE SHALL BE L3500.  
 ALL CASTINGS ARE TO BE COATED WITH BITUMINOUS PAINT.  
 BRICK GRATE INLET SHALL NOT EXCEED 6'.



EFFECTIVE DATE MARCH 22, 2017

**GRATE INLETS, TYPE 'F'**

This document was originally issued and sealed by Thomas S. Shafer, E-10679, on 2-17-2017. This media should not be considered a certified document.