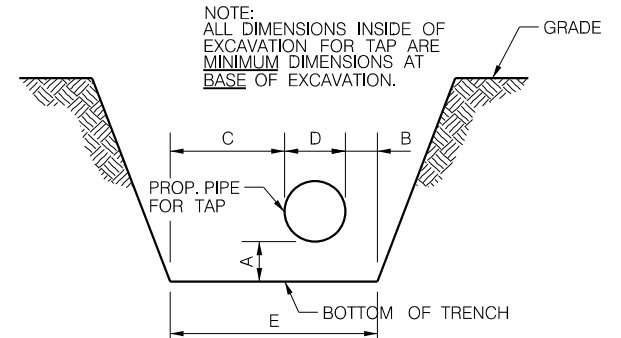
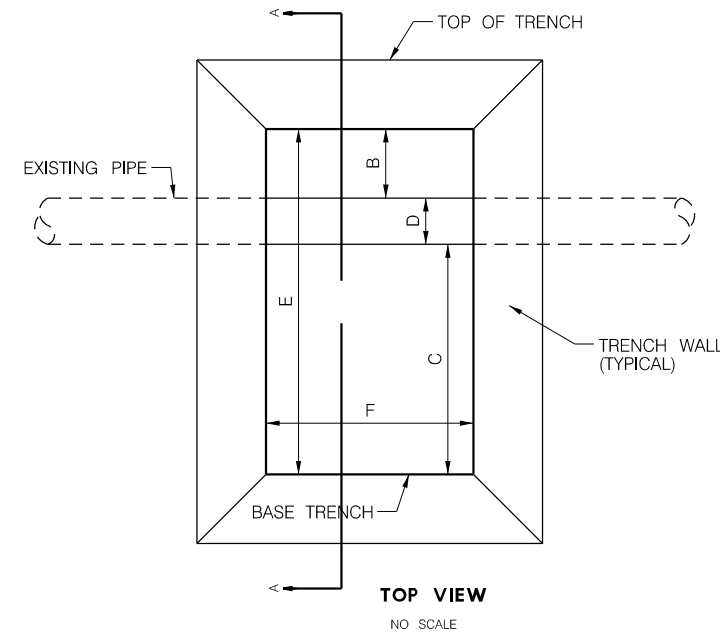


PROJ: LSP_Standards.dwg
 PEN: ..\tables\pen_bw_PENTABLE.tbl
 USER: slocaw
 DATE: 3/9/2017
 DGN: ..\STANDARD\2017\LSPs\lsp340.dgn

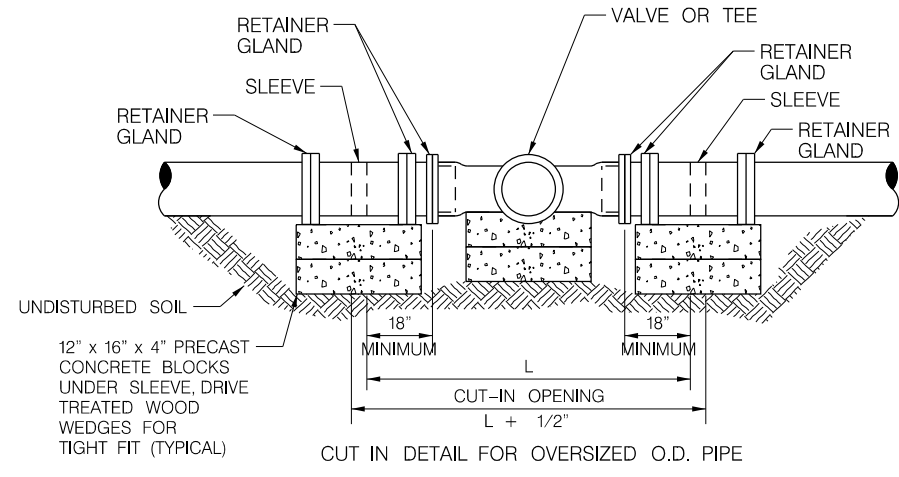


NOTE:
 ALL DIMENSIONS INSIDE OF
 EXCAVATION FOR TAP ARE
 MINIMUM DIMENSIONS AT
 BASE OF EXCAVATION.

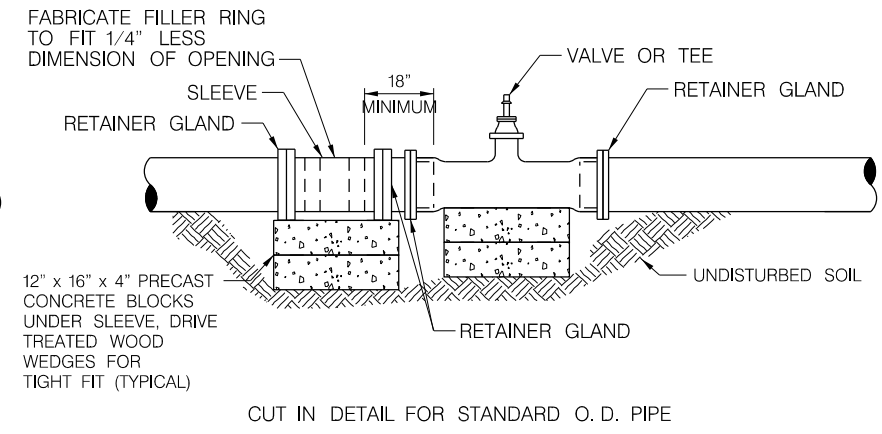
REQUIREMENT:
 SLOPE OF TRENCH WALLS AND/OR
 TRENCH PROTECTION MUST MEET
 O.S.H.A. STANDARDS, NO EXCEPTIONS

SECTION A-A
 NO SCALE

WATER TAPPING EXCAVATION PIT						
	A	B	C	D	E	F
TAPPING SLEEVE AND VALVE	12"	12"	6'-0"	10" OR LESS	8" MINIMUM	4'-0"
			7'-0"	12" OR LESS	9" MINIMUM	
WATER SERVICE TAP	6"	12"	3" MINIMUM	16" OR LESS	5'-0"	3'-0"
WASTEWATER SERVICE TAP	6"	12"	3" MINIMUM	15" OR LESS	5'-0"	3'-0"

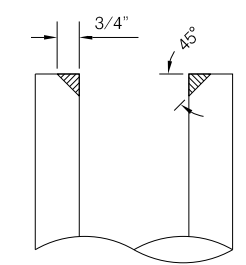


CUT IN DETAIL FOR OVERSIZED O.D. PIPE

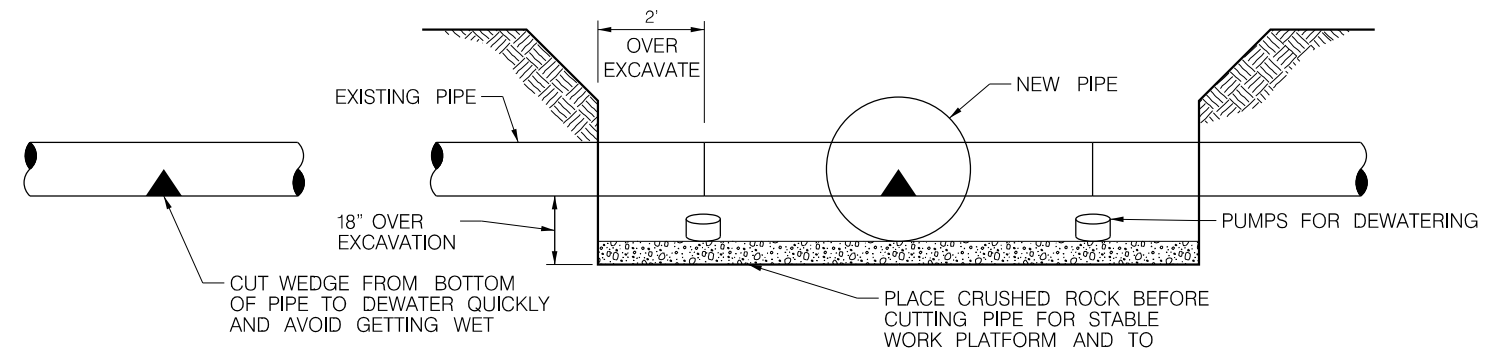
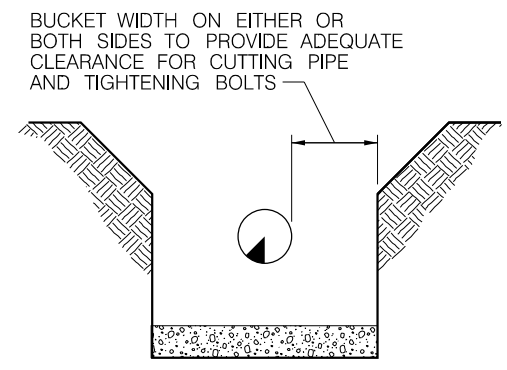


CUT IN DETAIL FOR STANDARD O.D. PIPE

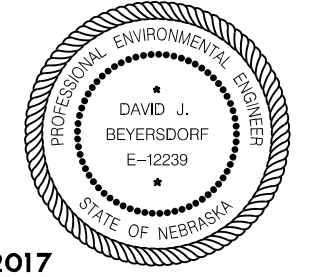
CUT IN FOR VALVES OR FITTINGS



CHAMFER FOR 12" PVC BUTTERFLY VALVE



EXCAVATING AND DEWATER IN FOR TIE-INS
 LINCOLN WATER SYSTEM



EFFECTIVE DATE MARCH 22, 2017

This document was originally issued and sealed by David Beyersdorf, E-12239, on 2-17-2017. This media should not be considered a certified document.