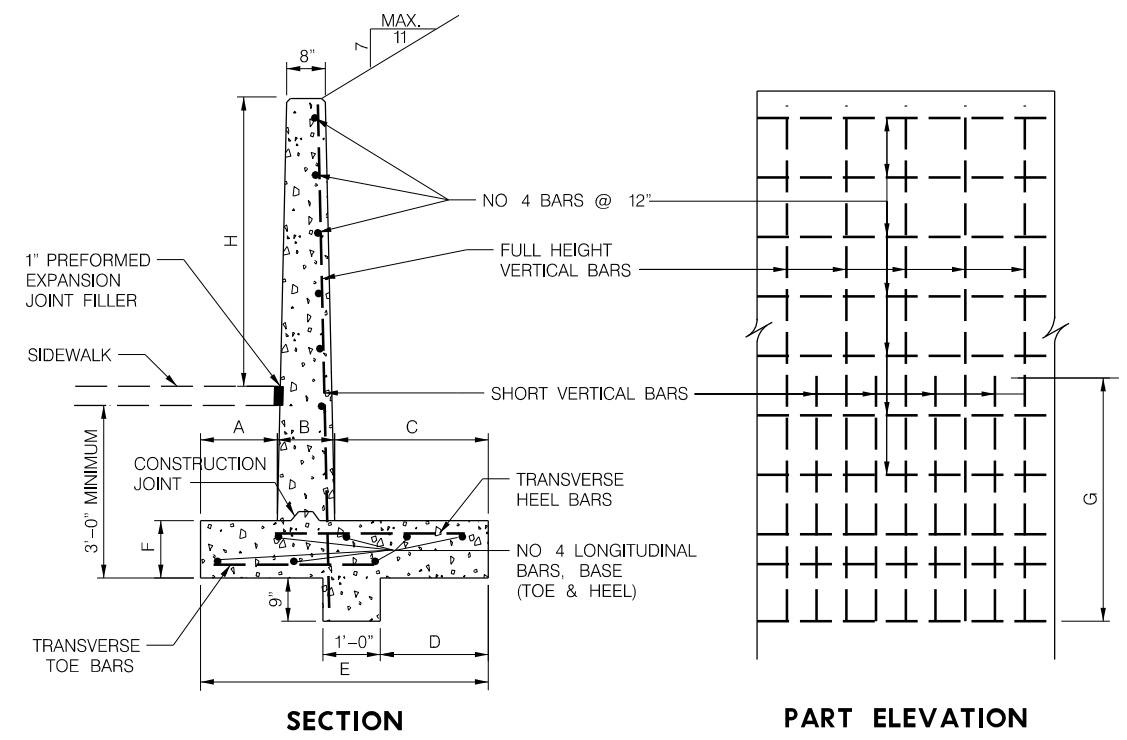


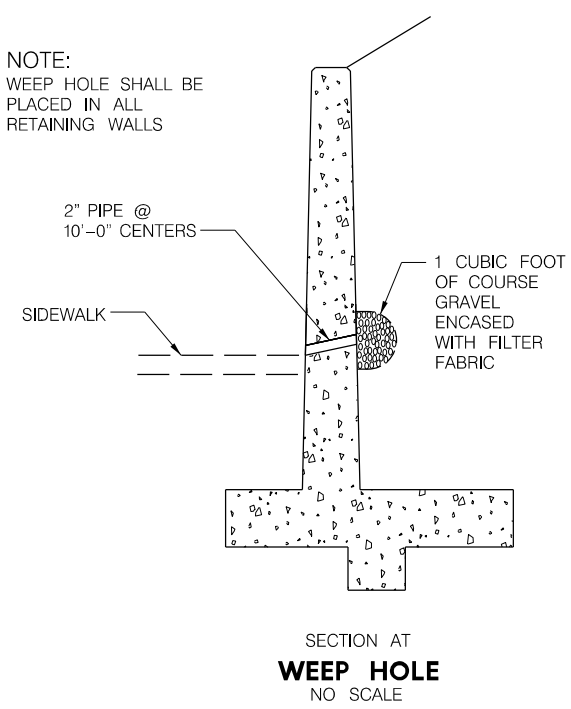
PROJ: LPS\_Standards.dwg  
 PEN: \\nables\pen\BW\_PENTABLE.tbl  
 USER: slocaw  
 DATE: 2/17/2017  
 DGN: ..\STANDARD\2017\LSPs\lsp610.dgn

QUANTITIES PER LINEAR FOOT OF WALL							
HEIGHT OF WALL FEET	CONCRETE CUBIC YARDS	REINFORCING STEEL POUNDS	DAMP-PROOFING SQUARE YARDS	ADDITIONAL CONCRETE		ADDITIONAL STEEL	
				ONE WALL CORNER CUBIC YARDS	ONE ENTRANCE CORNER CUBIC YARDS	ONE WALL CORNER POUNDS	ONE ENTRANCE CORNER POUNDS
UNDER 35"	.305	11.7	.572	1.1	0.14	93	27
35" - 47"	.355	14.9	.669	1.5	0.15	121	35

SURCHARGED FILL BEHIND WALL (MAXIMUM SURCHARGE SLOPE 11:7)													
HEIGHT OF WALL	DIMENSIONS							REINFORCING BARS					
	A	B	C	D	E	F	G	FULL HEIGHT VERTICAL BARS (ALTERNATE WITH SHORT BARS)	SHORT VERTICAL BARS (ALTERNATE WITH FULL HEIGHT BARS)	TRANSVERSE BARS, BASE		LONGITUDINAL BARS, BASE (NO 4)	
	H									TOE BARS	HEEL BARS	NUMBER OF TOE BARS	NUMBER OF HEEL BARS
UNDER 35"	10"	1'-0"	1'-6"	1'-2"	3'-4"	1'-0"	3'-9"	NO 3 @ 14"	NO 3 @ 14"	NO 3 @ 12"	NO 3 @ 12"	2	3
35" - 47"	1'-0"	1'-0"	1'-10"	1'-6"	3'-10"	1'-0"	3'-10"	NO 4 @ 16"	NO 4 @ 16"	NO 3 @ 12"	NO 3 @ 12"	2	3



NOTE:  
 WEEP HOLE SHALL BE PLACED IN ALL RETAINING WALLS



NOTE:  
 ALL EXPOSED EDGES OF CONCRETE SHALL BE CHAMFERED 3/4"

MINIMUM COVERING, MEASURED FROM FACE OF THE CONCRETE TO THE SURFACE OF ANY REINFORCING BARS SHALL BE 3".

EXPANSION JOINTS SHALL BE PLACED IN WALLS AT NOT MORE THAN 50'-0" INTERVALS, AT LOCATIONS TO BE DETERMINED BY THE ENGINEER, AND AT 8'-0" FROM ALL WALL AND ENTRANCE CORNERS. LONGITUDINAL BARS SHALL BE CUT AT EXPANSION JOINTS.

DUMMY JOINTS SHALL BE PLACED IN THE FACE OF WALLS AT LOCATIONS TO BE DETERMINED BY THE ENGINEER.

A CONTROL JOINT SHALL BE PLACED MIDWAY BETWEEN EXPANSION JOINTS OR MIDWAY BETWEEN EXPANSION JOINT AND THE END OF THE RETAINING WALL, EXCEPT CONTROL JOINTS MAY BE DELETED WHERE THE DISTANCE BETWEEN EXPANSION JOINTS OR THE DISTANCE BETWEEN EXPANSION JOINT AND END OF RETAINING WALL IS 30'-0" OR LESS. FIELD CUT ALTERNATE LONGITUDINAL BARS AT CONTROL JOINTS. TOP LONGITUDINAL BARS TO BE CONTINUOUS THROUGH CONTROL JOINT.

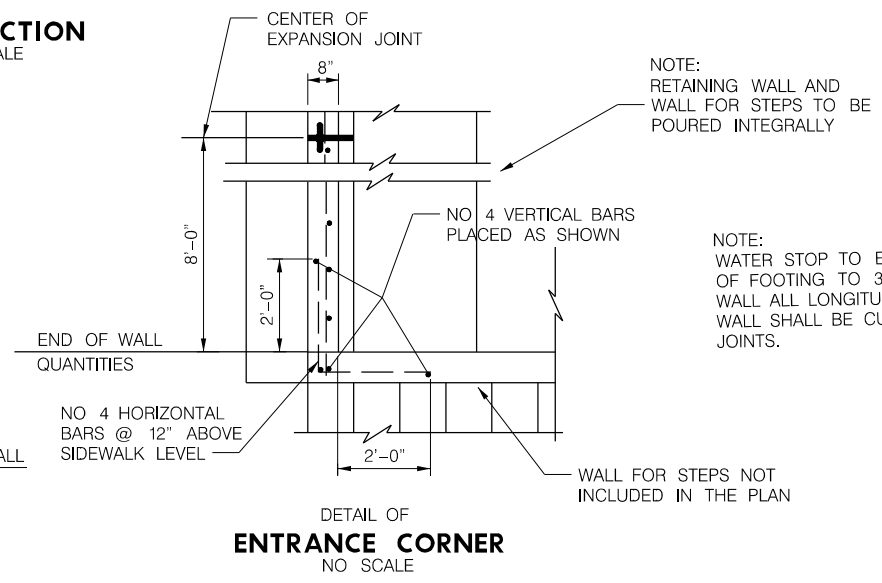
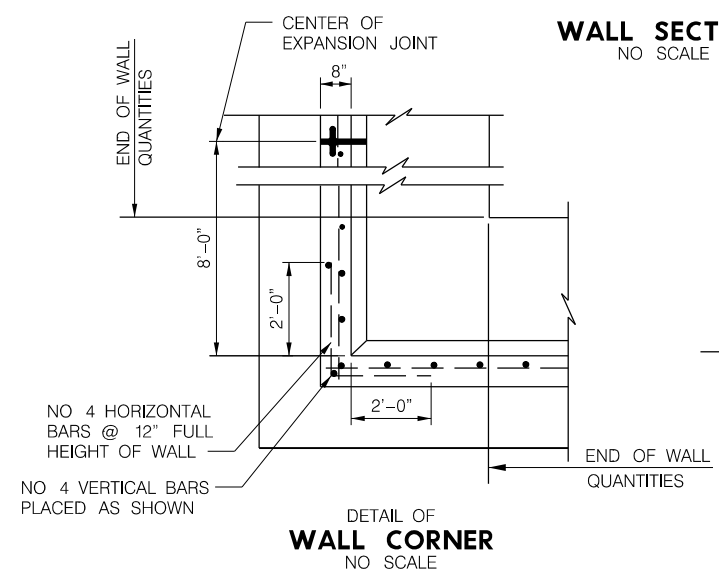
THE BACK FACE OF ALL RETAINING WALLS OVER TWO FEET HIGH SHALL BE DAMP-PROOFED ABOVE THE TOP OF THE FOOTING.

WEEP HOLES SHALL BE PLACED AT 10'-0" CENTERS IN ALL RETAINING WALLS.

ALL EXPOSED FACES OF RETAINING WALLS SHALL BE BUILT WITH FORMS TO SIMULATE A BRICK FACE.

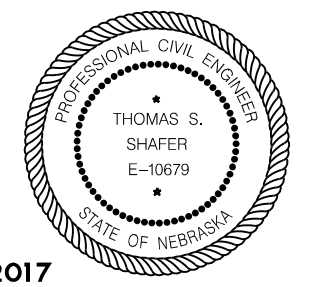
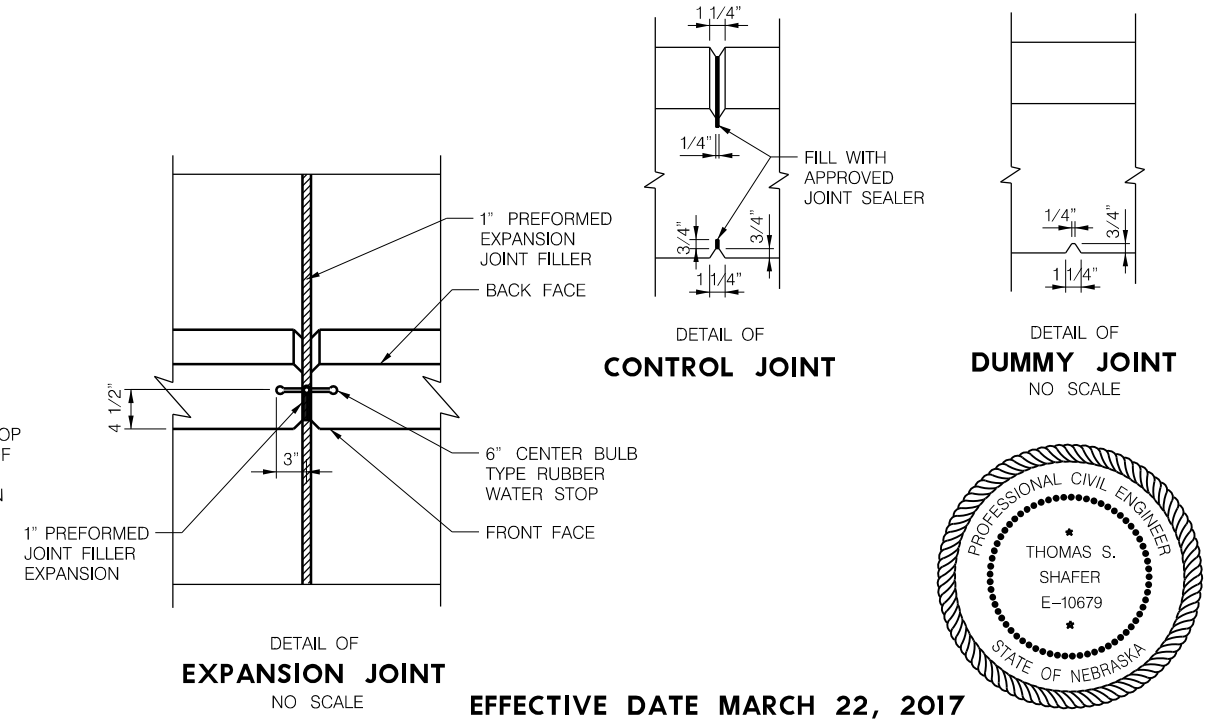
ALL REINFORCING STEEL SHALL BE EPOXY COATED.

ALL CONCRETE SHALL BE L3500.



NOTE:  
 RETAINING WALL AND WALL FOR STEPS TO BE POURED INTEGRALLY

NOTE:  
 WATER STOP TO EXTEND FROM TOP OF FOOTING TO 3" BELOW TOP OF WALL ALL LONGITUDINAL STEEL IN WALL SHALL BE CUT AT EXPANSION JOINTS.



EFFECTIVE DATE MARCH 22, 2017  
 REINFORCED CONCRETE RETAINING WALL TYPE 'A' AND 'B'

This document was originally issued and sealed by Thomas S. Shafer, E-10679, on 2-17-2017. This media should not be considered a certified document.