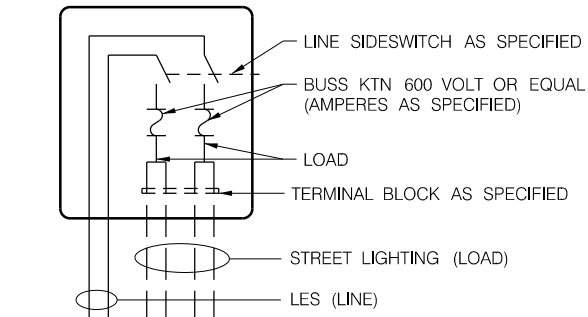
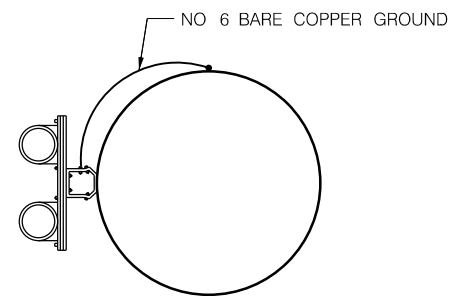


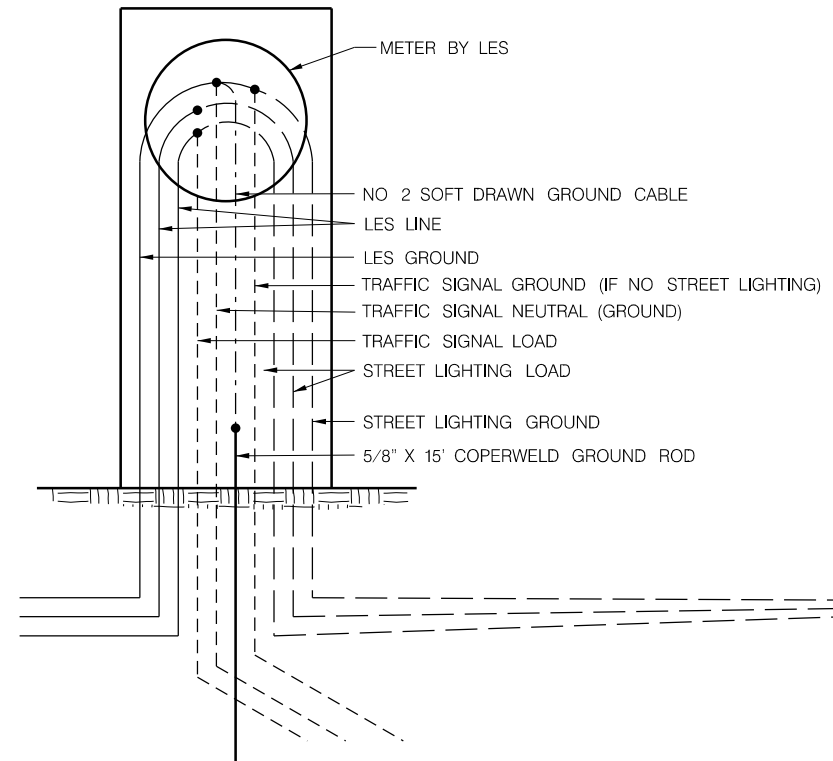
PROJ: LPS_Standards.dwg
 PEN: \\nables\pen\BW_PENTABLE.tbl
 USER: slocaw
 DATE: 2/16/2017
 DGN: ..\STANDARD\2017\LSPs\lsp83.dgn



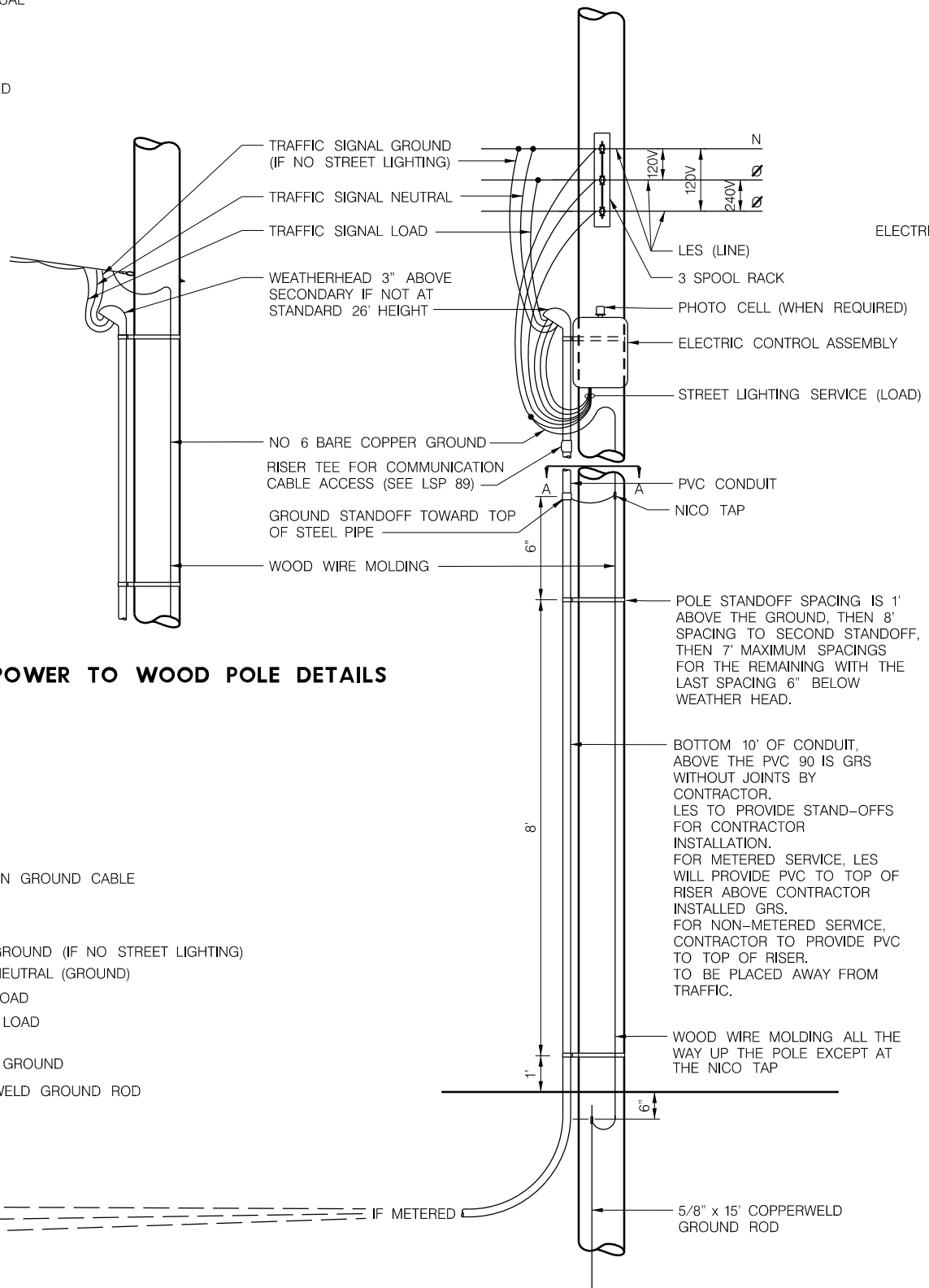
ELECTRIC CONTROL ASSEMBLY



SECTION A-A

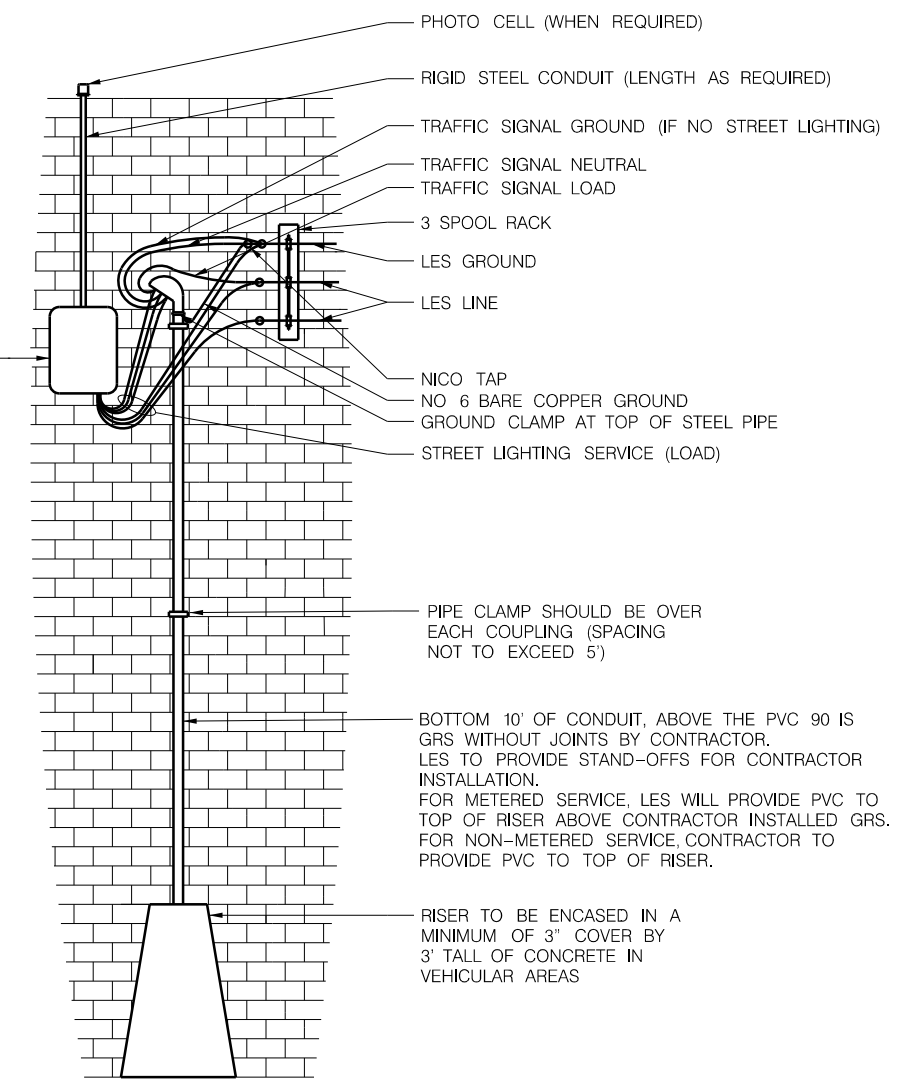


METER PEDESTAL DETAIL



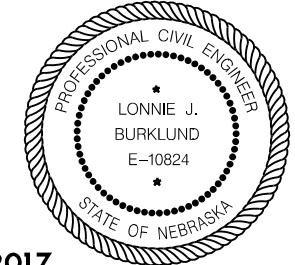
POWER TO WOOD POLE DETAILS

CONTROL RELAY AND WOOD POWER POLE DETAILS



SIDE OF BUILDING DETAILS

ELECTRICAL SERVICE NOTE:
 EACH RIGED STEEL RISER, EITHER WOOD POLE, OR SIDE OF BUILDING, SHALL BE GROUNDED IN ACCORDANCE WITH THE NATIONAL ELECTRICAL CODE, LOCAL ORDANCES, APPLICABLE CODES AND THE REQUIREMENTS OF THE LINCOLN ELECTRIC SYSTEM.
 THE SIDE OF BUILDING INSTALLATION SHALL REQUIRE A RISER GROUNDING CLAMP, NICO TAP AND NO 6 BARE COPPER. THE NO 6 BARE COPPER WIRE SHALL BE CLAMPED TO THE SERVICE CABLE MESSENGER.
 THE SIDE OF POLE INSTALLATION SHALL REQUIRE A RISER GROUNDING CLAMP, NO 6 BARE COPPER, 5/8" x 15' GROUND ROD AND WOOD MOLDING.
 PROVIDE SUFFICIENT LEAD LENGTH FOR L. E. S. TO MAKE FINAL ELECTRICAL CONNECTIONS TO SECONDARY.
 PHOTO ELECTRICAL CONTROL ASSEMBLY TO BE LOCATED ON NORTH, EAST OR WEST FACE OF POLE WITH PHOTO ELECTRIC CELL WINDOW FACING NORTH.



EFFECTIVE DATE MARCH 22, 2017

POWER SUPPLIES

This document was originally issued and sealed by Lonnie J. Burklund, E-10824, on 2-17-2017. This media should not be considered a certified document.