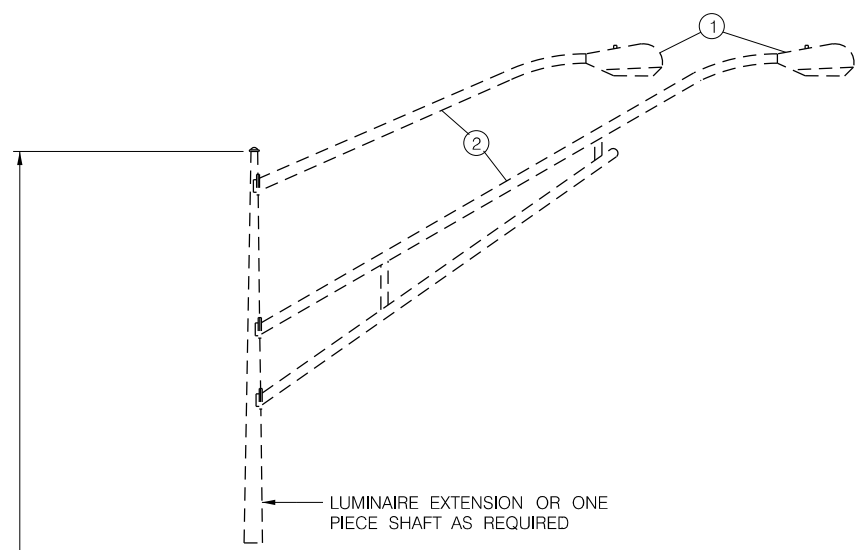


PROJ: LPS_Standards.dwg
 PEN: \\nables\pen_bw_PENTABLE.tbl
 USER: slcaw
 DATE: 2/16/2017
 DGN: ..\STANDARD\2017\LSPs\lsp87.dgn



SPAN WIRE LOADING NOTES:

SPAN WIRE SHALL BE INSTALLED WITH 5% SAG, UNDER DEAD LOAD AND SHALL BE ADJUSTED ON THE POLES TO PROVIDE THE PROPER MOUNTING HEIGHT INDICATED. FOR INSTALLATION OF A SINGLE SPAN (INLINE) OR WHERE POLE CLAMP POSITIONS VARY BY MORE THAN SIX INCHES (6") A TWO PIECE 180 DEGREE SEPARATION CLAMP SHALL BE USED. WHERE THE POLE CLAMP POSITIONS ARE WITHIN SIX INCH (6") VALUE A FOUR-PIECE 90 DEGREE SEPARATION CLAMP SHALL BE USED.

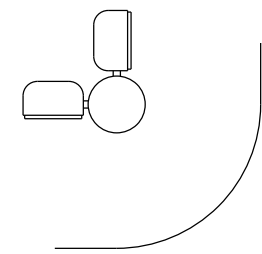
TO CALCULATE THE POLE CLAMP POSITION FOR ANY SPAN:

$PCP = M + H + S$

WHERE "M" IS THE MINIMUM ROAD CLEARANCE OF 16'-6"; "H" IS THE MEASURED LENGTH FROM THE BOTTOM OF THE BACKPLATE TO THE SUSPENSION CLAMP OF THE INBOARD 3 SECTION SIGNAL HEAD AND "S" IS 5% OF THE TOTAL SPAN

COMPARE WITH OTHER SPAN USING THIS POLE

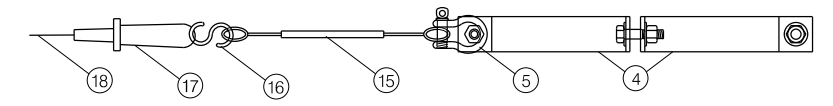
IF PCP1 & PCP2 ≤ 6" THEN SEPARATE POLE CLAMPS NOT NEEDED



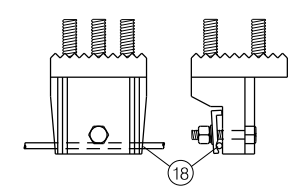
STANDARD PEDESTRIAN HEAD PLACEMENT

EXAMPLE: R-SW2-40-12T-6.5-0.25-PC

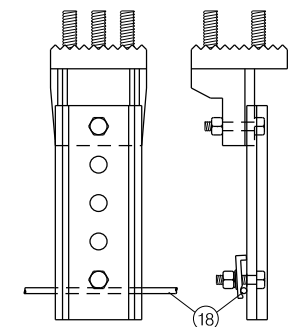
R-ROUND
 O-OCTAGONAL
 SPAN WIRE POLE }
 TYPE 1, 2 OR 3 }
 SL MOUNTING HEIGHT
 SL ARM LENGTH & TYPE
 6', 8' or 10' S-SINGLE
 10, 12' or 15' T-TRUSS
 (T* IF TWIN ARM)
 UPSWEEP
 LAMP SIZE IN KILOWATTS
 PC-PHOTO CELL
 SC-SHORTING CAP }



TIE WIRE SAFETY RELEASE



TETHER ASSEMBLY

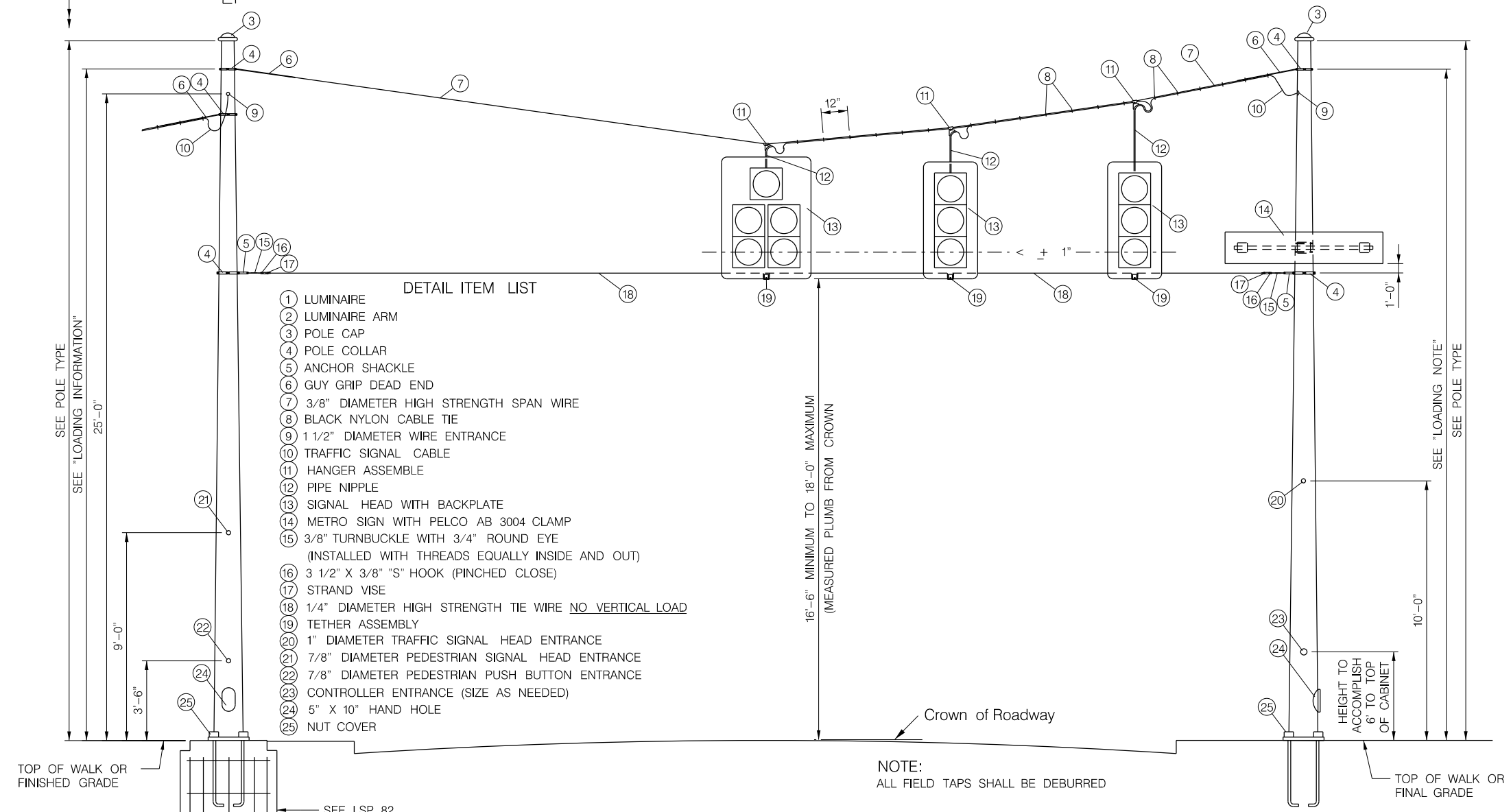


TETHER ASSEMBLY WITH EXTENTION

NOTE:
 POLE MANUFACTURER TO STAMP ALL MAJOR COMPONENTS WITH POLE NUMBER

POLE TYPE AND SIZE LEGEND

- DETAIL ITEM LIST**
- 1 LUMINAIRE
 - 2 LUMINAIRE ARM
 - 3 POLE CAP
 - 4 POLE COLLAR
 - 5 ANCHOR SHACKLE
 - 6 GUY GRIP DEAD END
 - 7 3/8" DIAMETER HIGH STRENGTH SPAN WIRE
 - 8 BLACK NYLON CABLE TIE
 - 9 1 1/2" DIAMETER WIRE ENTRANCE
 - 10 TRAFFIC SIGNAL CABLE
 - 11 HANGER ASSEMBLY
 - 12 PIPE NIPPLE
 - 13 SIGNAL HEAD WITH BACKPLATE
 - 14 METRO SIGN WITH PELCO AB 3004 CLAMP
 - 15 3/8" TURNBUCKLE WITH 3/4" ROUND EYE (INSTALLED WITH THREADS EQUALLY INSIDE AND OUT)
 - 16 3 1/2" X 3/8" "S" HOOK (PINCHED CLOSE)
 - 17 STRAND VISE
 - 18 1/4" DIAMETER HIGH STRENGTH TIE WIRE NO VERTICAL LOAD
 - 19 TETHER ASSEMBLY
 - 20 1" DIAMETER TRAFFIC SIGNAL HEAD ENTRANCE
 - 21 7/8" DIAMETER PEDESTRIAN SIGNAL HEAD ENTRANCE
 - 22 7/8" DIAMETER PEDESTRIAN PUSH BUTTON ENTRANCE
 - 23 CONTROLLER ENTRANCE (SIZE AS NEEDED)
 - 24 5" X 10" HAND HOLE
 - 25 NUT COVER



TYPICAL INSTALLATION OF SIGNAL EQUIPMENT

EFFECTIVE DATE MARCH 22, 2017

SPAN WIRE POLES, INSTALLATION DETAILS



This document was originally issued and sealed by Lonnie J. Burklund, E-10824, on 2-17-2017. This media should not be considered a certified document.