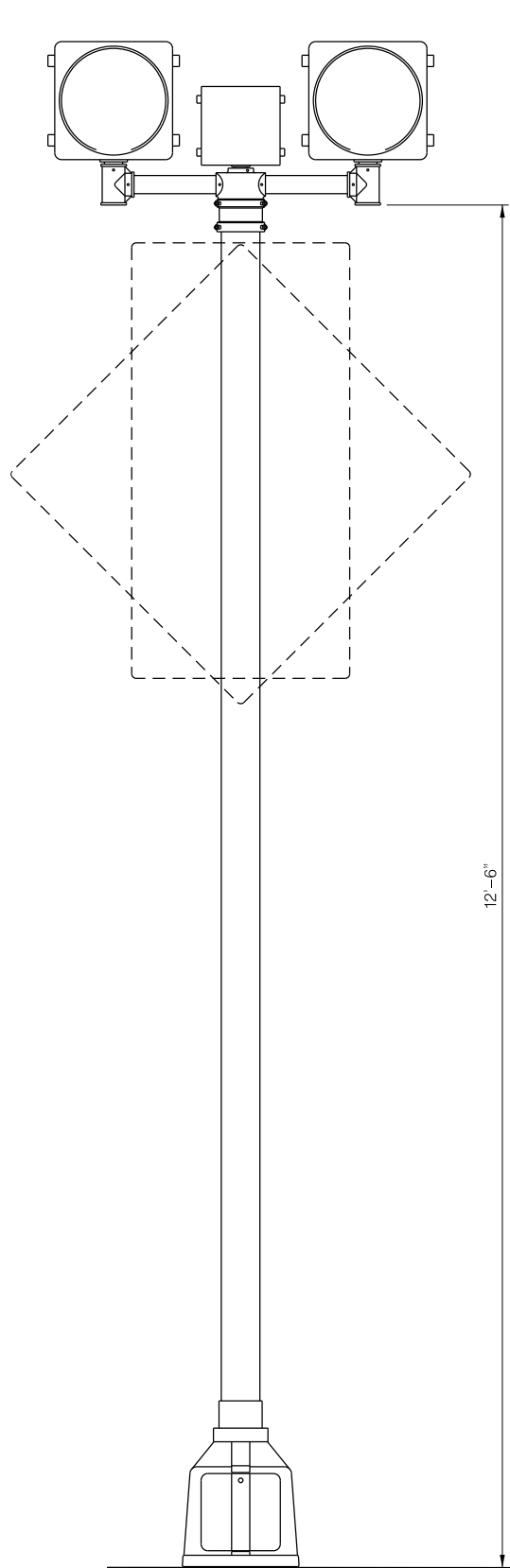
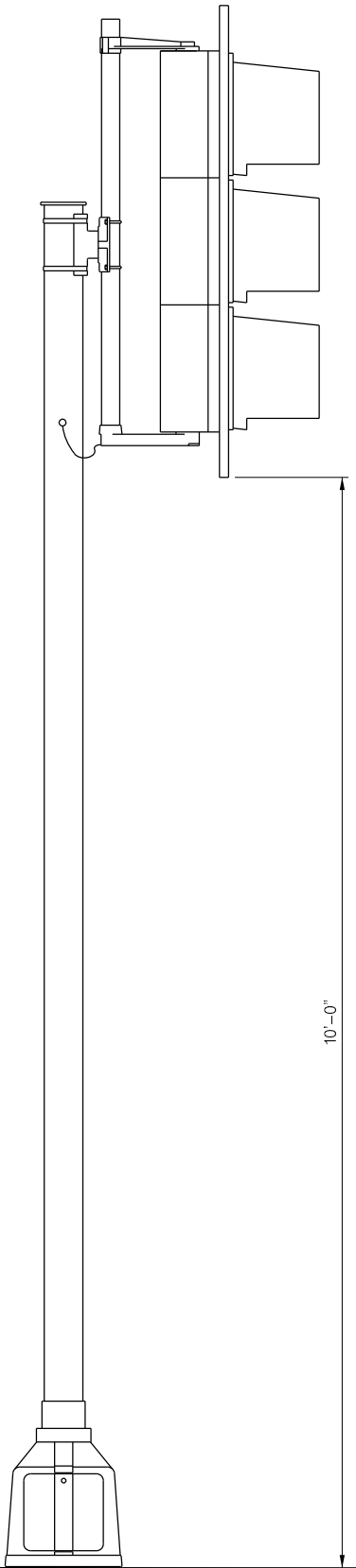


PROJ: LPS\_Standards.dwg  
 PEN: ..\ables\pen\BW\_PENTABLE.tbl  
 USER: slocaw  
 DATE: 2/16/2017  
 DGN: ..\STANDARD\2017\LSPs\lsp90.dgn

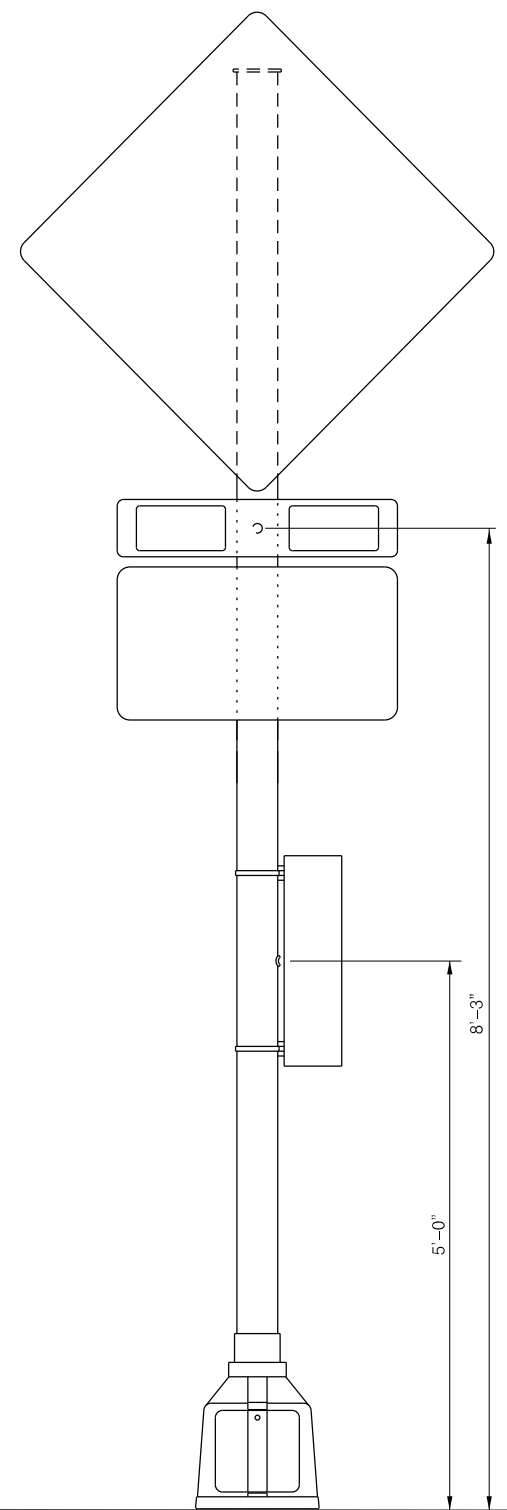
<b>LINCOLN</b> PUBLIC WORKS AND UTILITIES	PROJECT NO.	SHEET NO.
	LSP 90	1
	Date: 2/17/2017	Drawn: CAW
	Horz. Scale: NONE	Checked: Approved:



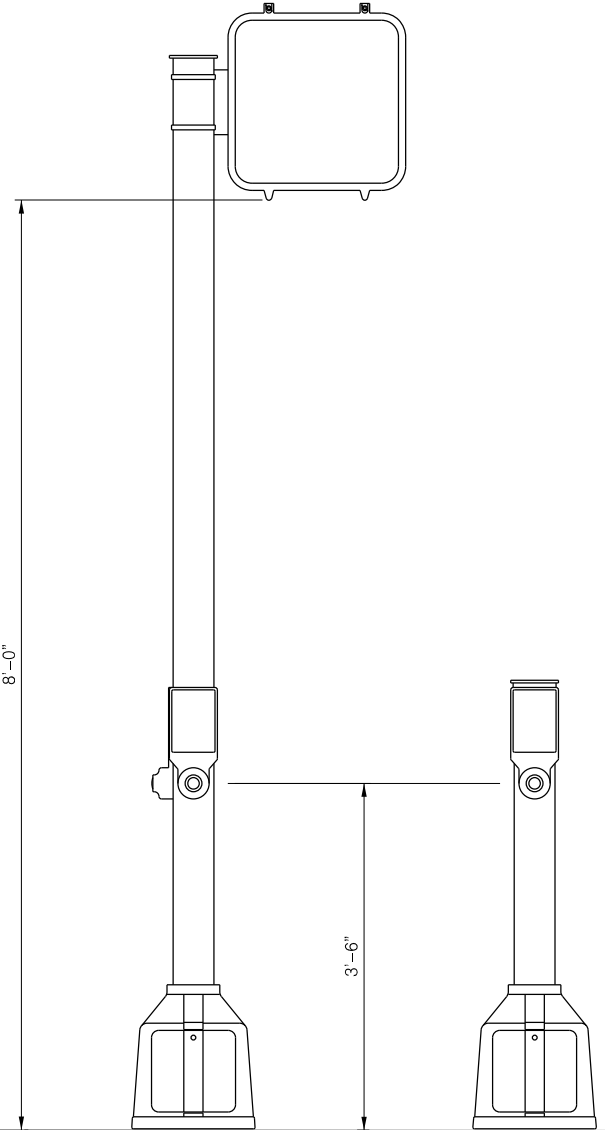
PEDESTAL POLE, 3



PEDESTAL POLE, 3



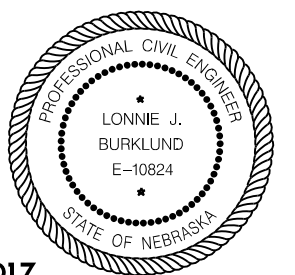
PEDESTAL POLE, 3



PEDESTAL POLE, 1

PEDESTAL POLE, PPB

NOTES:  
 CONTRACTOR TO TIGHTEN POLE SHAFT FORCEFULLY INTO THE BASE, SO THAT ONLY TOOLS CAN LOOSEN.  
 PEDESTAL POLES ARE SHOWN WITH TYPICAL DISPLAY CONFIGURATIONS ONLY. REFER TO THE PROJECT PLAN SHEETS AND MEASUREMENT AND PAYMENT SECTION OF THE SPECIFICATIONS FOR CORRECT INSTALLATION CONFIGURATION.  
 PEDESTAL POLES REQUIRE F-4A FOUNDATION.  
 THE CONTRACTOR SHALL ATTACH GROUND WIRE TO BASE USING TERMINAL LUGS. TO ATTACH THE GROUND TO THE PEDESTAL POLE BASE, DRILL A HOLE IN THE PEDESTAL BASE TO ACCEPT THE TERMINAL LUG.



EFFECTIVE DATE MARCH 22, 2017

PEDESTAL MOUNTED

LSP 90

06 LSP

This document was originally issued and sealed by Lonnie J. Burkland, E-10824, on 2-17-2017. This media should not be considered a certified document.