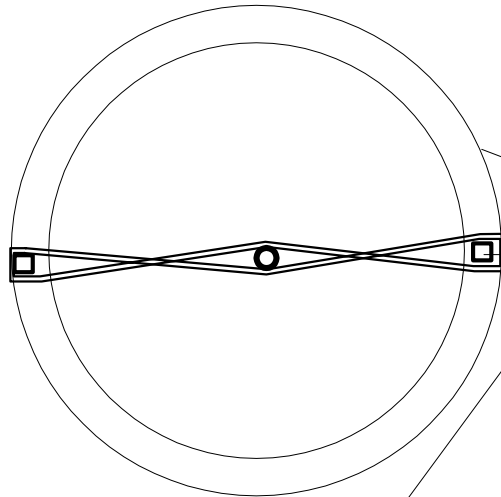


PLAN VIEW



Edge of mulch ring

2" x 2" x 6' wooden stakes set to a minimum depth of 12" into undisturbed soil 6" to 8" outside root ball.

Arbor-tie nylon webbing placed in 'figure 8' around tree trunk loosely to allow for tree flexing.

Remove all tags and labels.

Prune away dead or broken branches only.

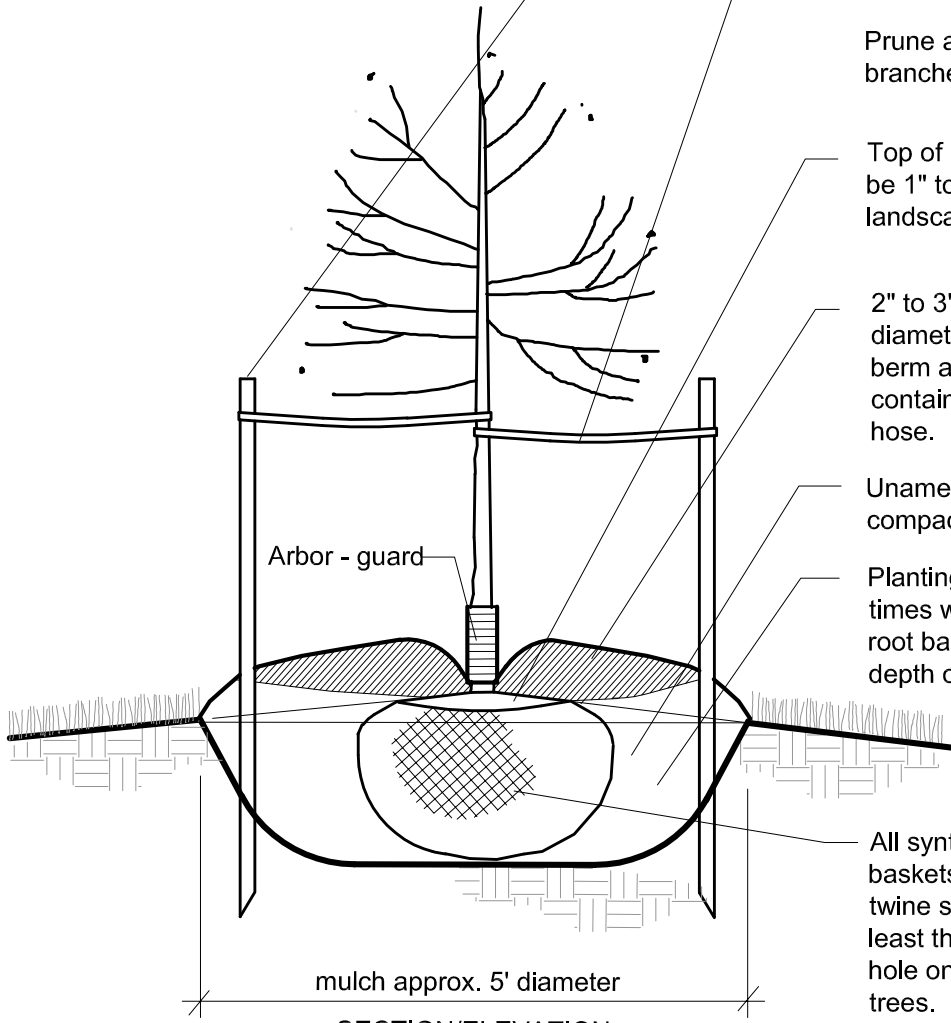
Top of root ball/root flare shall be 1" to 2" above finished landscape.

2" to 3" of woodchips in a 5' diameter circle and woodchip berm at outer edge of circle to contain water when watering by hose.

Unamended backfill soil loosely compacted around root ball.

Planting hole shall be 1.5 to 2 times wider than diameter of root ball and no deeper than depth of root ball.

All synthetic materials, wire baskets, burlap, string and twine shall be removed to at least the bottom of planting hole on balled and burlapped trees. Containers and grow bags shall be removed from trees.



Arbor - guard

mulch approx. 5' diameter

SECTION/ELEVATION