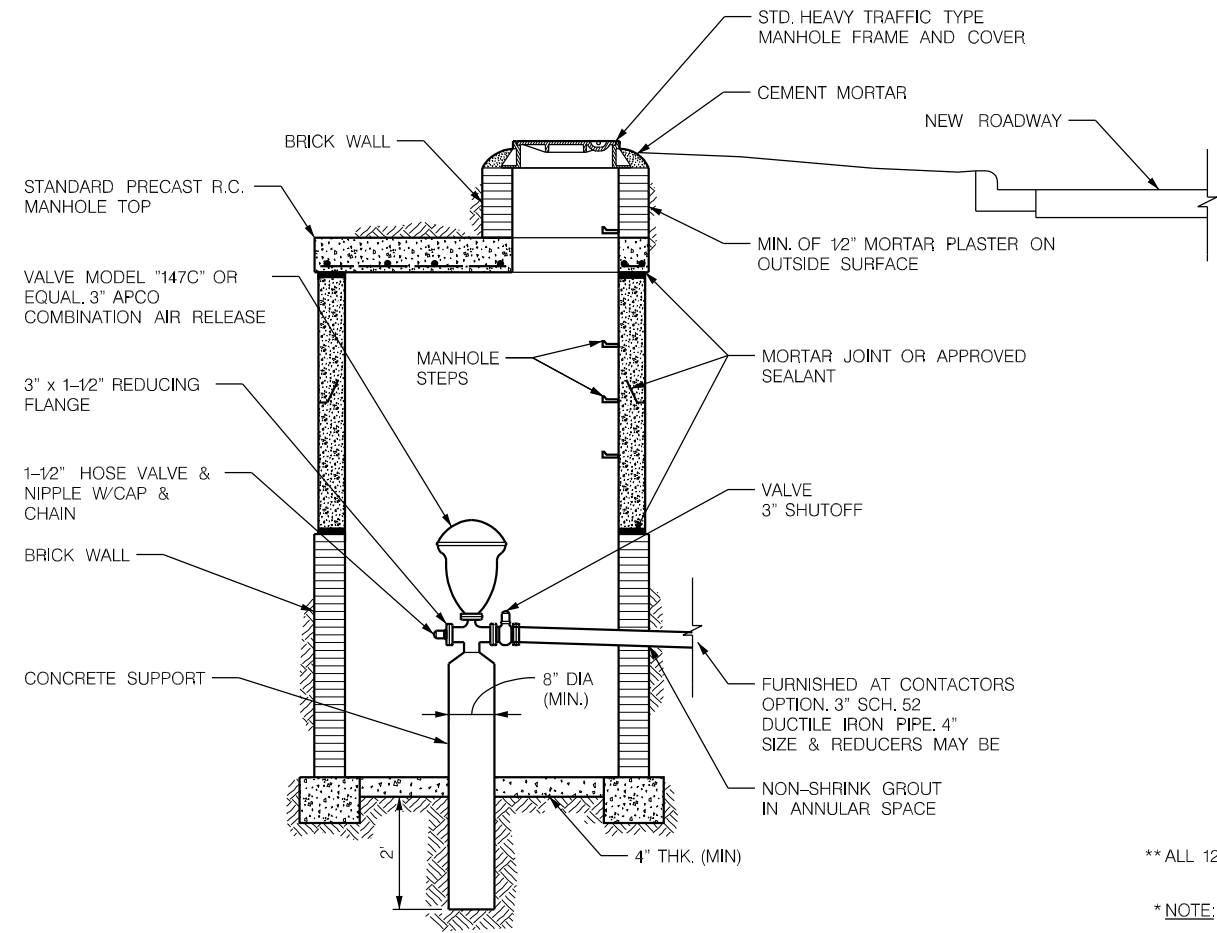
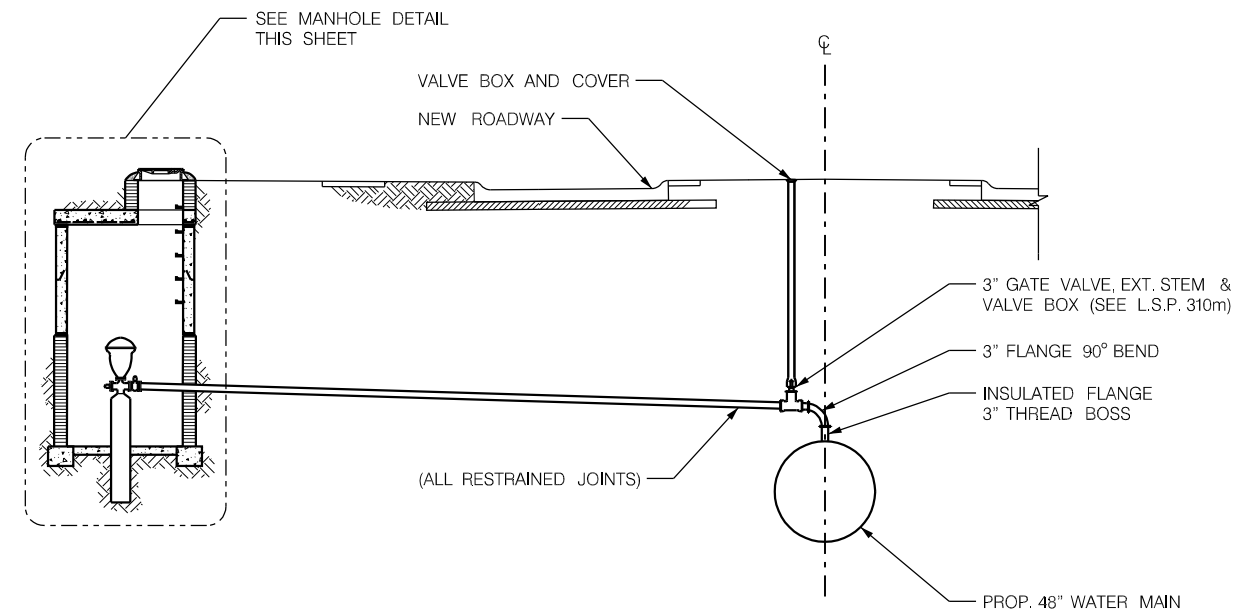


USER: sjemsio
 DATE: Wednesday, March 17, 2004
 DGN: ...DESIGN\SHEETS\123456\100.dgn



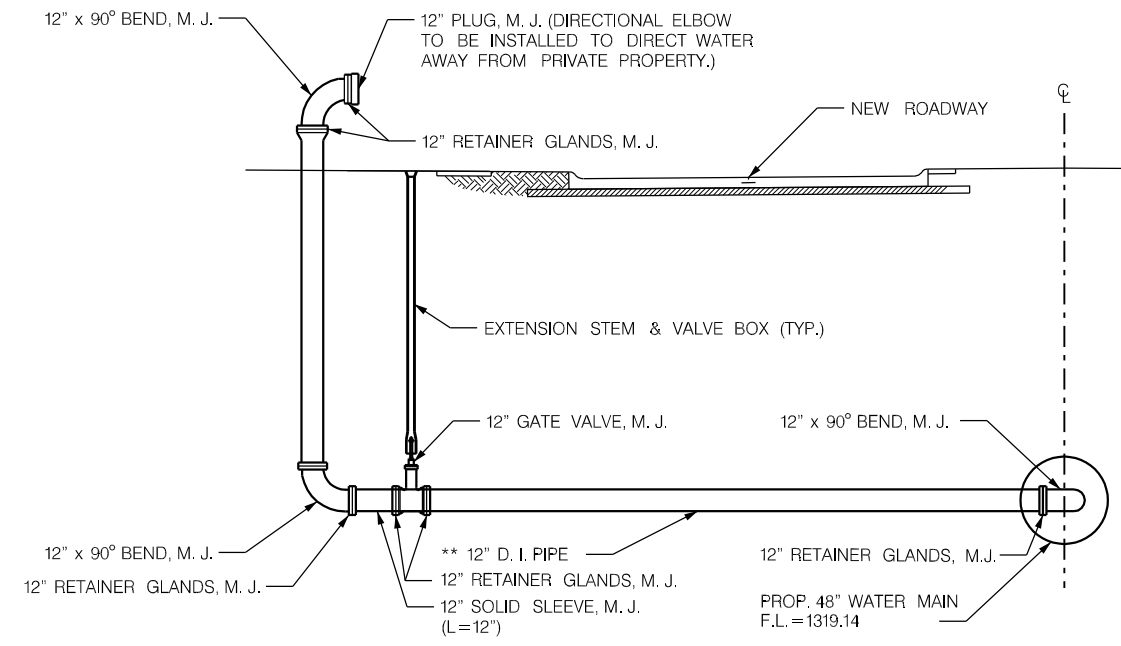
AIR RELEASE/VACUUM RELIEF VALVE MANHOLE



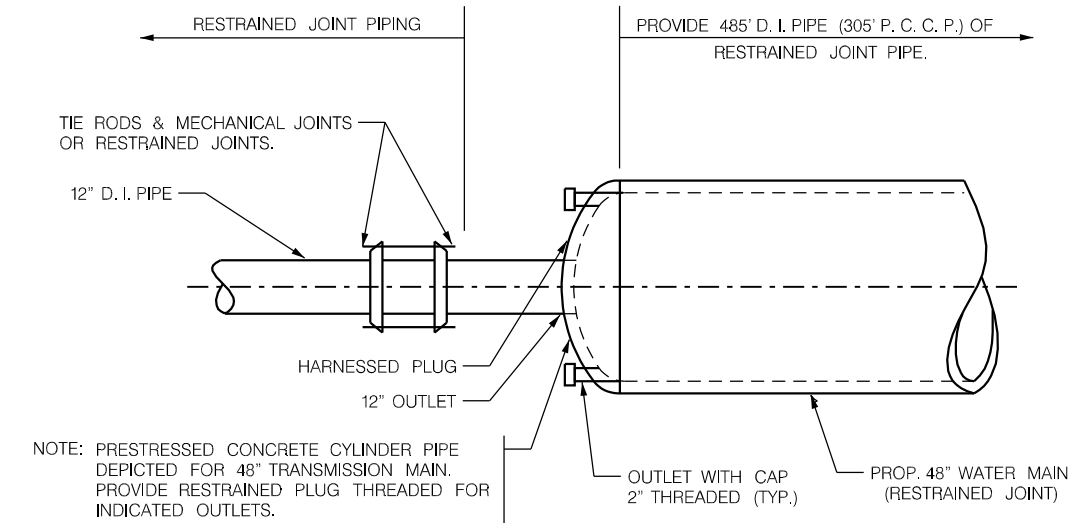
AIR RELEASE/VACUUM RELIEF VALVE MANHOLE

** ALL 12" PIPE TO BE RESTRAINED JOINT

*NOTE: OWNER WILL FURNISH & INSTALL TAPPING S&V's WITH M.J. ENDS. CONTRACTOR WILL INCLUDE WITH ITS BID, COST OF THIS SERVICE BY OWNER FOR MATERIALS AND INSTALLATION.



** PROPOSED END CONNECTION DETAIL SECTION AT STA 766+16.79



TYPICAL BULKHEAD/PLUG DETAIL

